

OPERATING INSTRUCTION

1.OPENING THE DOOR

STEP 1. Push 'START' button on the key pad and enter 1,1,1,1,1,1 or 2,2,2,2,2,2 which has been programmed at the factory.

After pressing the 6 numbers, a green light will come on with a beep sound.

STEP 2. Turn the key clockwise and open the door.

CAUTION! When an incorrect code is entered, you will hear a beep. Try the right code again after the beep sound.

If the incorrect code is entered 5 times in a row, a series of beeps will sound for approximately 3 minutes.

Try the correct code after the 3 minutes of series of beeps stop.

2. PROGRAMMING THE CODES

The safe can be programmed with two personal codes. After opening the safe, you should program two codes of your own to take the place of the two factory-preset codes, which are 1,1,1,1,1,1 and 2,2,2,2,2,2.

CAUTION! Do not close the safe until a new code has been entered. Try the new code before locking the safe.

(1)Programming the first code(The safe door needs to be open!)

STEP 1. After opening the door, find the red memory button inside of the door.

STEP 2. Push the "START" button on the keypad and enter your 6-digit code(For example, 1,3,1,3,1,3)

STEP 3. Press the memory button and make sure that you hear a short beep sound.

STEP 4. Test the new code with the door open. If the new code does not work, repeat the above steps.

(2)Programming the second code(The safe door needs to be open!)

STEP 1. After opening the door, press the red memory button and you will hear a short beep.

STEP 2. Press the START button and enter your new code (for example, 1,5,1,5,1,5).

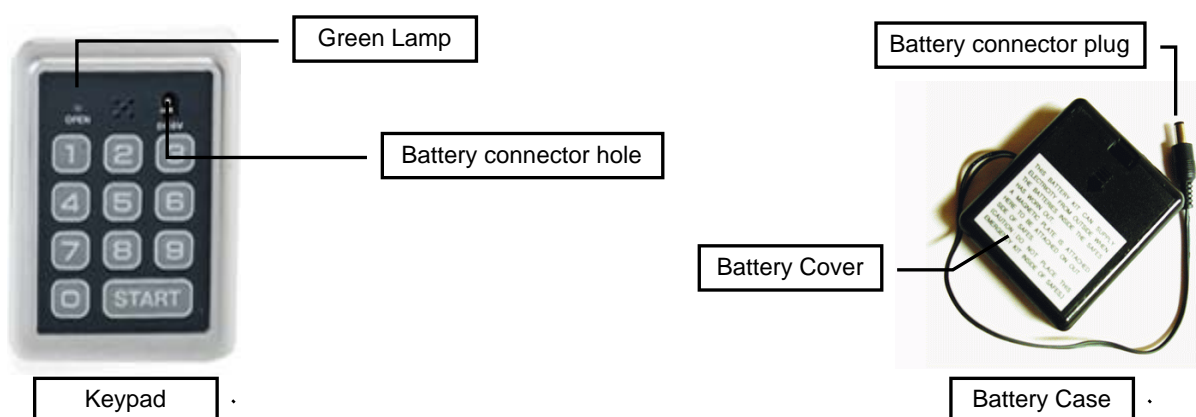
STEP 3. Test the new code with the door open. If the new code does not work, repeat the above steps.

3. INSTALLING / REPLACING THE BATTERIES

Remove the battery cover of the battery case and install the four 1.5V (size AA) alkaline batteries.

Insert the plug into the connector hole on the keypad and open the door with your codes.

After opening the door, replace the batteries which are on the back side of the door.



* Ensure that the (+) and (-) positions are correct. Please keep this battery case to replace the batteries.